


SUBARU

DOOR VISOR

INSTALLATION INSTRUCTION

Genuine part number : F0010FN000

Applicable model : CROSSTREK

This manual explains about the attachment procedure of the door visor.

Attention

1. Read this manual thoroughly first in order to attach the door visor correctly.
Never attach the modified door visors.
2. ⚠ Caution marks used in this manual indicate the safety caution for the attachment. Be sure to observe these cautions.
3. Please note that we may not accept responsibilities for troubles occurred by neglecting to observe the cautions.

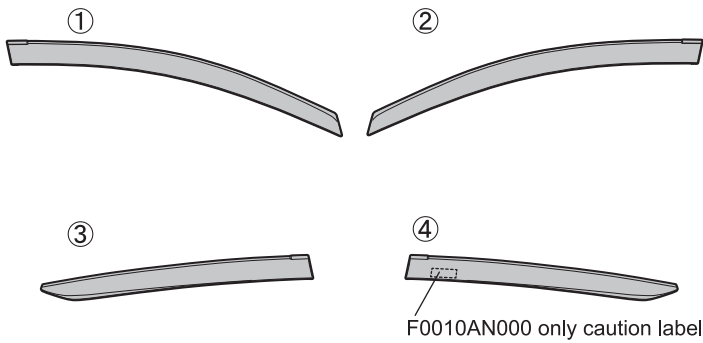
⚠ CAUTION

1. Before starting the attachment procedure, turn off the ignition switch and be sure to operate the parking brake.
2. For attaching this product, we are adopting the adhesion method by using double-sided tape. Before attaching the product, wipe dirt, dust, and oil with clean cloth from the attaching surface.
The oil can be wiped well by using neutral detergent, etc.
3. This product is made of resin. Be careful when handling for not forcibly bending or damaging.
4. When the ambient temperature is low (15°C or lower), warm the surface of double-sided tape to approximately 40°C with an infrared lamp or a dryer (do not use an industrial dryer).
5. The double-sided tape needs to be pressed in order to make it adhere well. Pressure-bond the visor as strongly as the vehicle shakes a little. In addition, if the visor is removed and attached again, the adhesion power significantly deteriorates. In order to avoid repetitive attachment, decide the position before the first attachment.
6. The adhesion power of the double-sided tape gradually increases after pasting. Avoid washing the vehicle for 24 hours from the attachment.
7. After checking the attachment, open and close the window glass for a few times. Check that the window opens/closes smoothly.

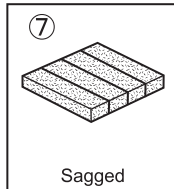
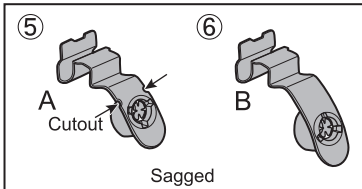
Revision content

△	Content	Date of creation
△ 0	Create a new entry	2022.6.10

Component parts



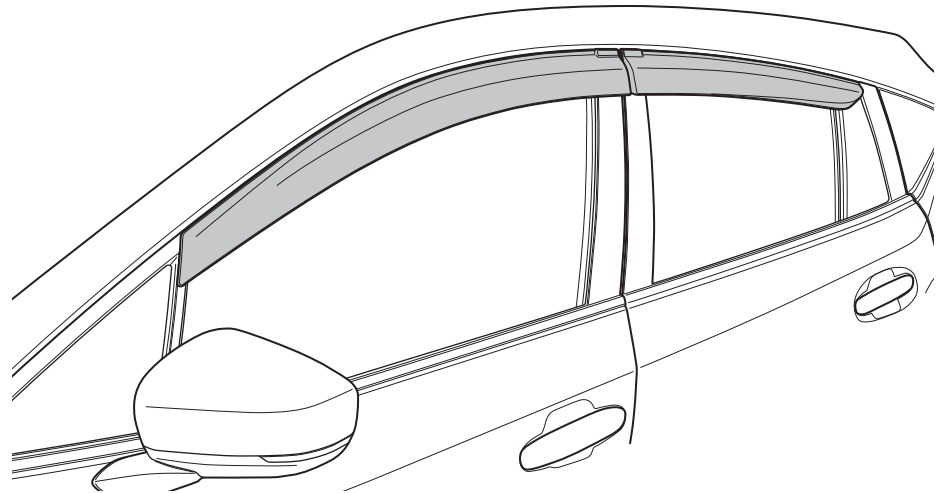
No.	Part name	Quantity
①	Front door visor RH	1
②	Front door visor LH	1
③	Rear door visor RH	1
④	Rear door visor LH	1
⑤	Bracket A	2
⑥	Bracket B	6
⑦	Sealer (a set of 4pcs)	1



Tools to be used

- Neutral detergent
- Cloth
- Scale
- Masking tape
- Infrared lamp or dryer (when the environment temperature is 15°C or lower)

Completion drawing after the installation

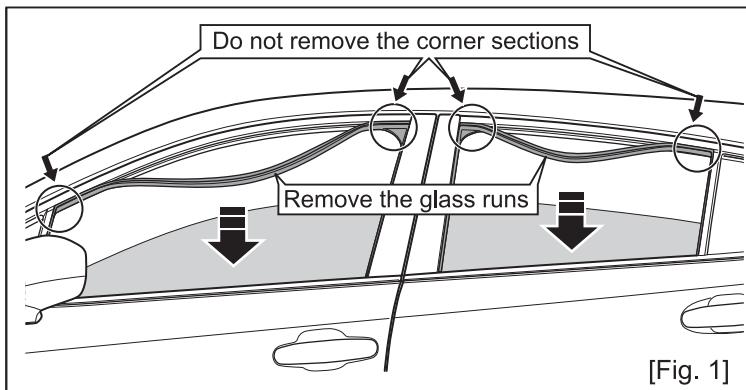


Installation procedure

⚠ Caution

- Park the vehicle at a level and sufficiently open space for the safe operations.
- Stop the engine and operate the parking brake, so the vehicle does not move during the operation.

- This procedure describes the operation for the left side.
- Conduct the same operation for the right side as well.

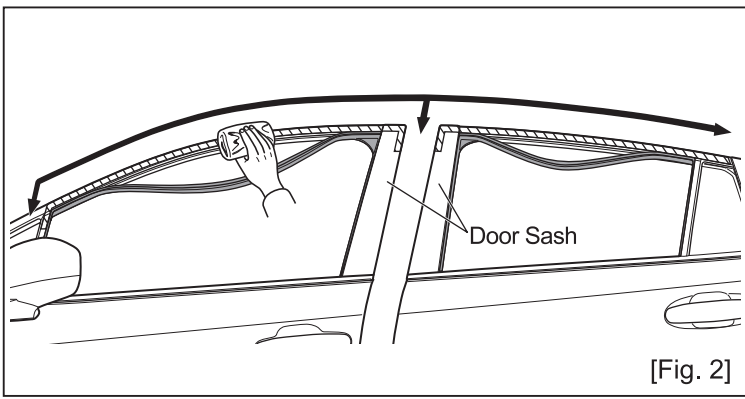


1. Preparation for installation

- (1) Open the door, open the window glass, and remove the glass run. [Fig. 1]

⚠ Caution

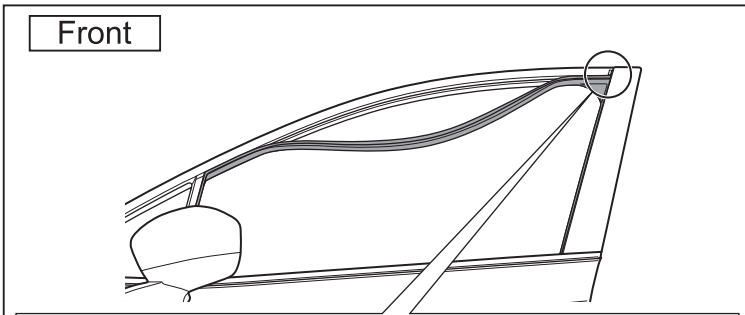
- Remove the glass run according to the explanation in the service manual.
- Do not remove the corner sections of the glass run. Otherwise, the recovery becomes difficult.



(2) Be sure to wipe water, oil, and dirt on the door visor attachment surfaces (▨ sections on the door sash) by a cloth soaked with neutral detergent. Then, dry the wiped surfaces completely. [Fig. 2]

⚠ Caution

- Attach the main body by the double-sided tape. Make sure that the attachment surfaces are clean.



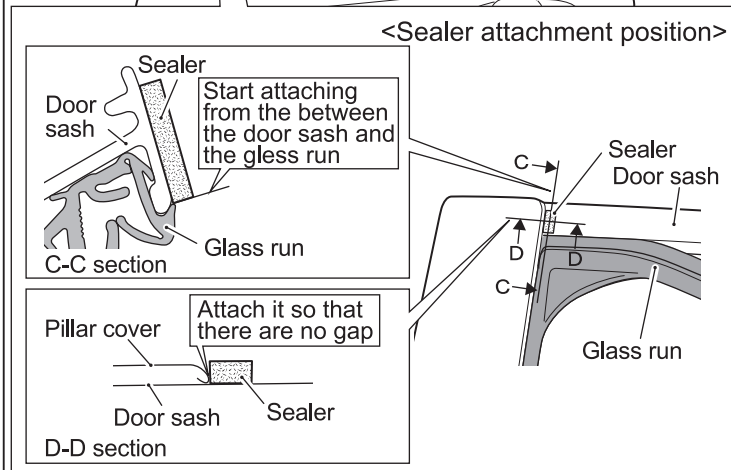
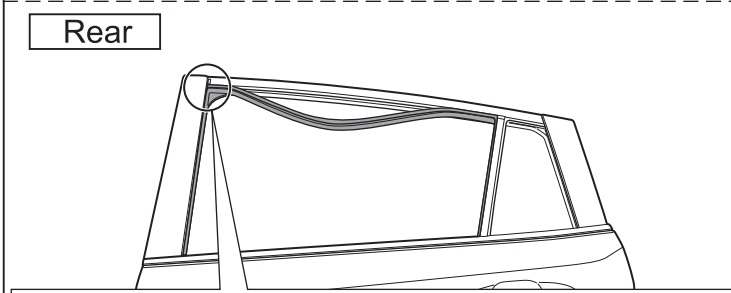
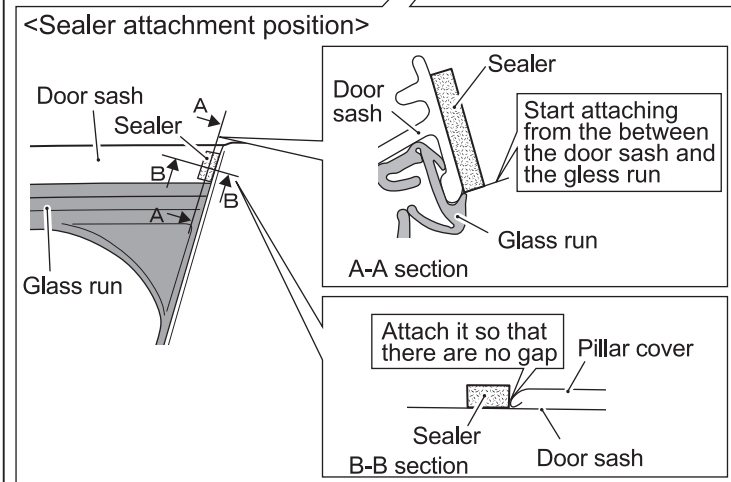
2. Preparation for installation of door visor

(1) Apply sealer to the pillar cover bumps on the front door sash. Start from the bottom side, aligning with the border between the door sash and the glass-run, and apply it carefully so as not to ride up on the grass run.

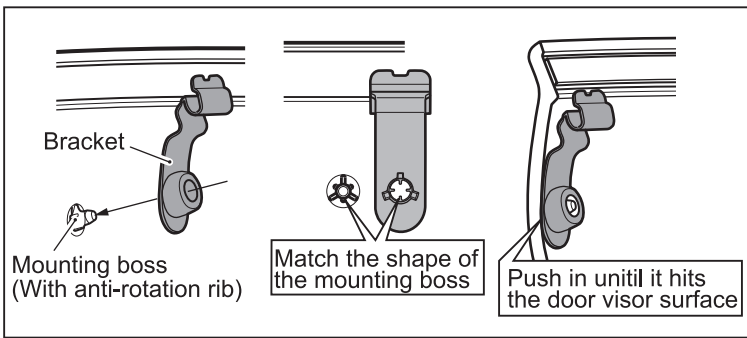
(2) Apply sealer to the pillar cover bumps on the rear door sash. Start from the bottom side, aligning with the border between the door sash and the glass-run, and apply it carefully so as not to ride up on the grass run.

⚠ Caution

- Attach the cushion so that no gap will be made on the pillar cover and also the upper side of the cushion will not protrude from the door visor.



[Fig. 3]

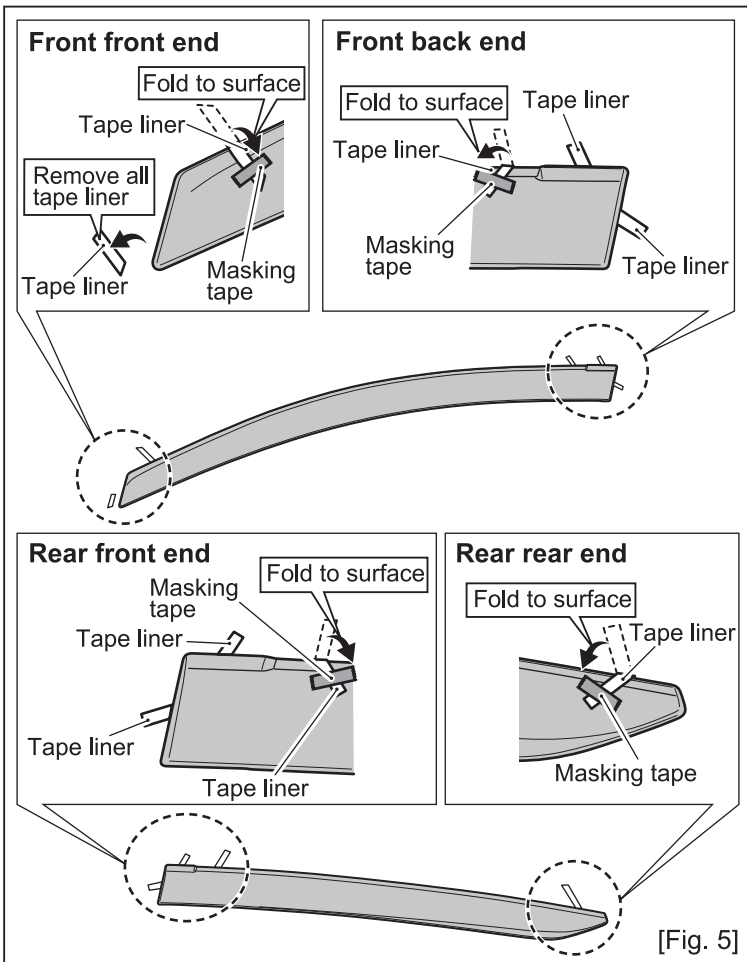
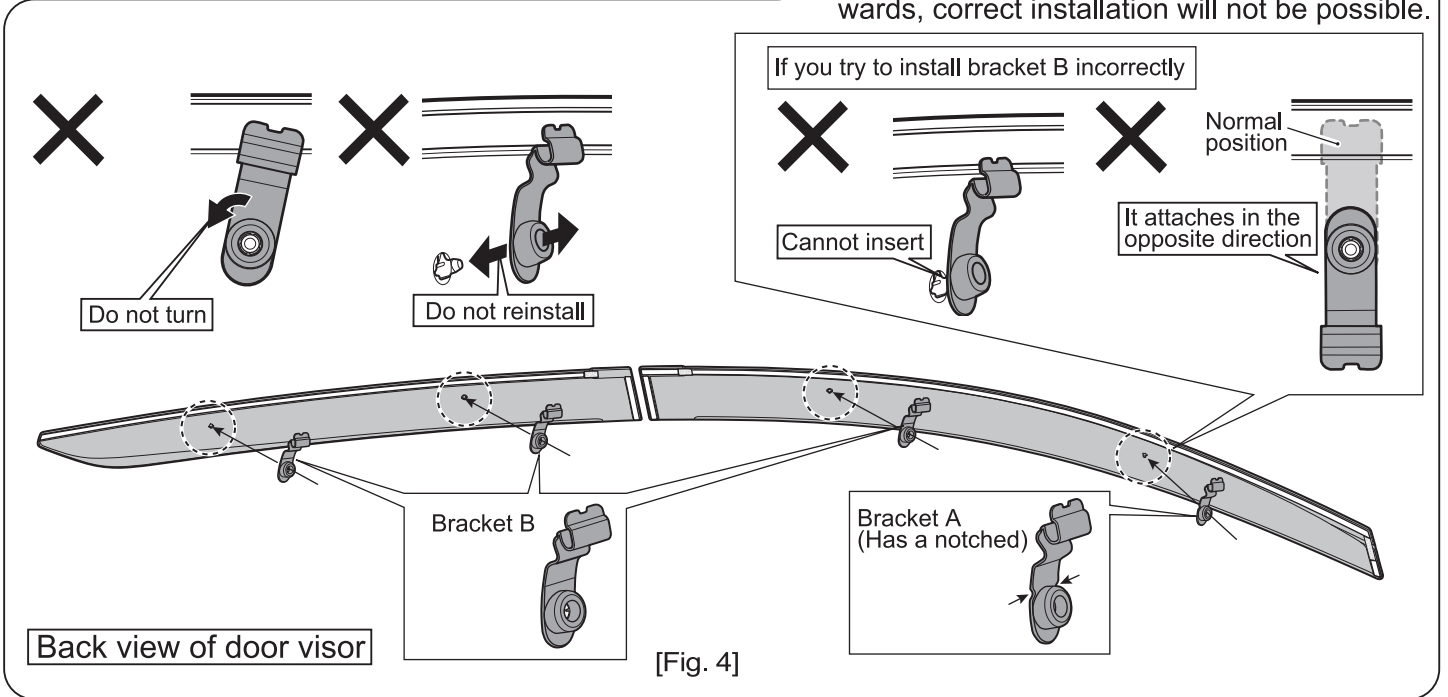


3. Installing the brackets

- (1) Insert the bracket into the mounting boss on the back of the door visor and push it in until it hits the door visor surface. [Fig.4]

⚠ Caution

- Do not turn reattach the bracket as this may cause it to come off.
- If bracket A and bracket B are installed backwards, correct installation will not be possible.



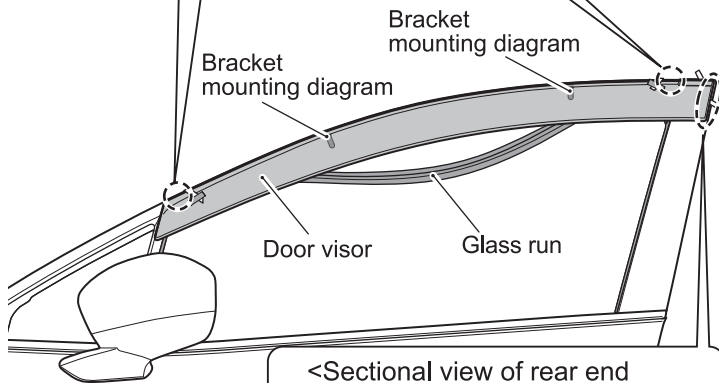
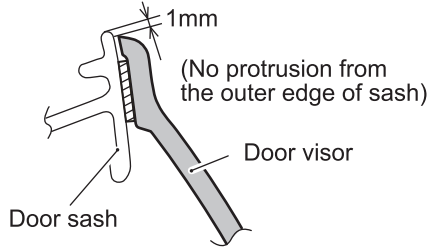
4. Preparation for door visor installation

- (1) Remove about 30mm of tape liner from the front and rear edge of the door visor from the terminal. [Fig.5]

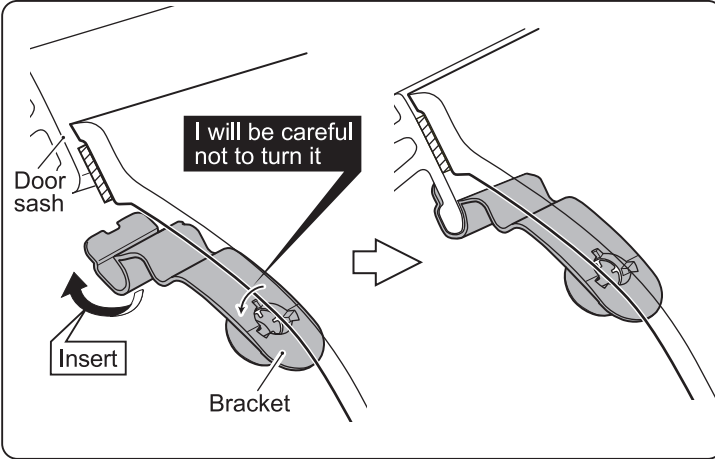
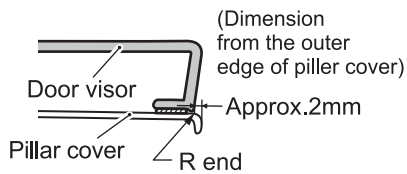
*The removed tape liner can be attached to the surface with masking tape to facilitate further work.

Front

<Sectional view of upper end section installation position>



<Sectional view of rear end section installation position>



[Fig. 6]

5. Temporary attachment of the door visor Front

Front

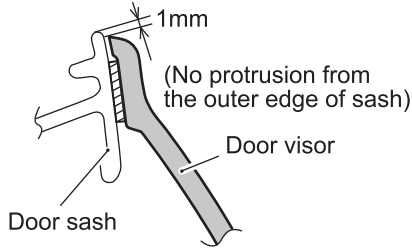
- (1) Align the rear edge with the outer edge of the pillar cover (2mm inside from the terminal) and temporarily adhere. [Fig. 6]
- (2) Align the top edge with the outer edge of the door sash (1mm inside from the terminal) and temporarily adhere. [Fig. 6]
- (3) Insert the bracket into the door sash. [Fig. 6]

⚠ Caution

- Repeated temporary installation will significantly reduce the adhesive strength double-sided tape.
- Be careful not to turn the bracket when inserting it into the door sash.
- Make sure that the door visor does not extend beyond the outer edge of the door sash. If the product is installed overhung, it may interfere with the vehicle or cause injury.
- Glue the bracket in place with the bracket securely inserted all the way to the back of the door sash. If not securely plugged in, it may cause water to enter.

Rear

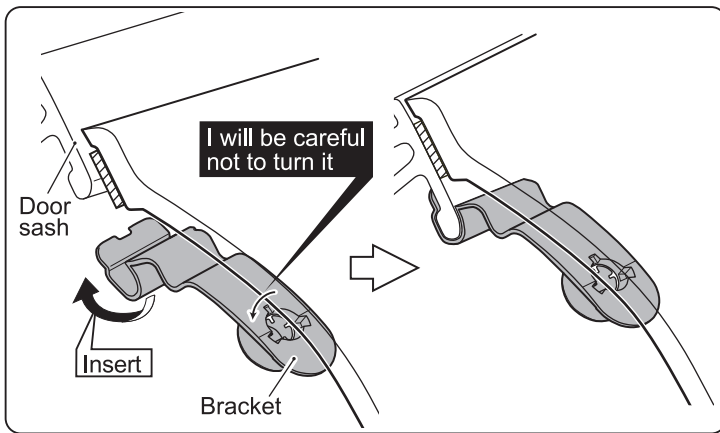
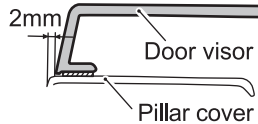
<Sectional view of upper end section installation position>



Bracket mounting diagram

<Sectional view of front end section installation position>

(Dimension from the outer edge of pillar cover)



[Fig. 7]

6. Temporary attachment of the door visor Rear

Rear

- (1) Align the front edge with the outer edge of the pillar cover (2mm inside from the terminal) and temporarily adhere. [Fig. 7]
- (2) Align the top edge with the outer edge of the door sash (1mm inside from the terminal) and temporarily adhere. [Fig. 7]
- (3) Insert the bracket into the door sash. [Fig. 7]

⚠ Caution

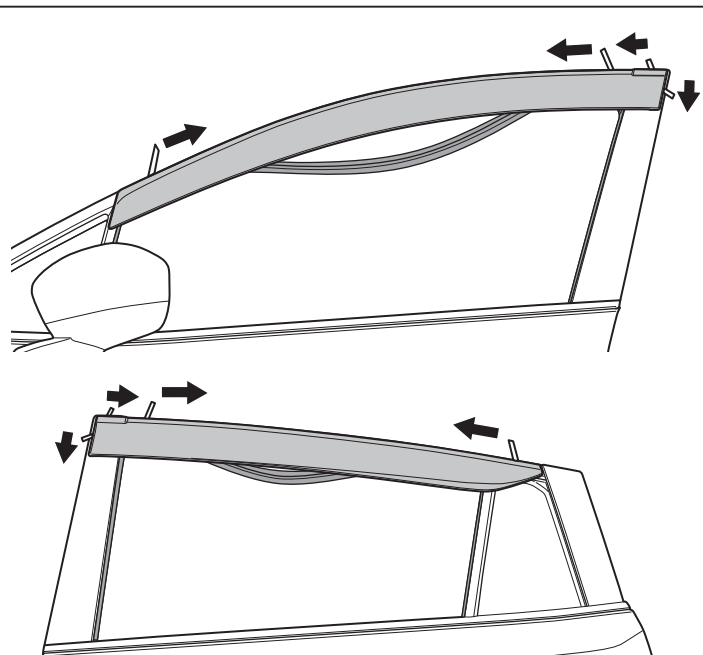
- Repeated temporary installation will significantly reduce the adhesive strength double-sided tape.
- Be careful not to turn the bracket when inserting it into the door sash.
- Make sure that the door visor does not extend beyond the outer edge of the door sash. If the product is installed overhung, it may interfere with the vehicle or cause injury.
- Glue the bracket in place with the bracket securely inserted all the way to the back of the door sash. If not securely plugged in, it may cause water to enter.

7. Adhesion of door visor

- (1) Remove all masking tapes which were temporarily pasted. [Fig. 8]
- (2) After checking that the positioning is securely conducted, remove the release paper of the double-sided tape to the arrow ← direction without twisting, and adhere the door visor to the door panel. [Fig. 8]

⚠ Caution

- If it is attached without being properly aligned, it may cause interference with the vehicle, injury, peeling, water intrusion, and abnormal sound.
- Always hold the root of the releasing paper and remove slowly.
- Please note that twisting the releasing paper may cause the paper to tear.
- When a clearance is made between the release paper and the vehicle, it becomes easier to remove the release paper.



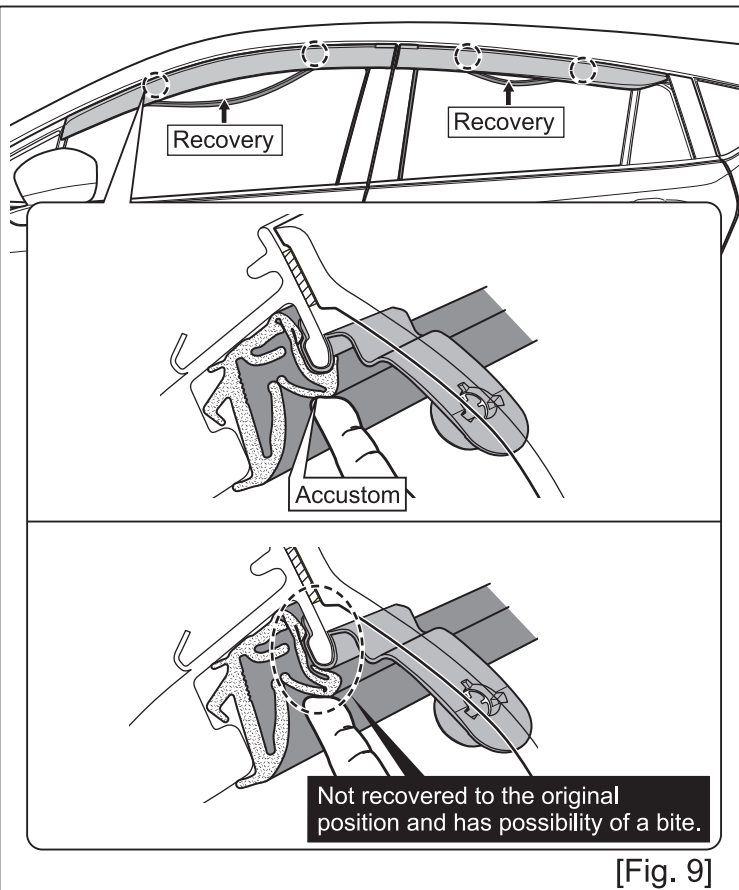
[Fig. 8]

8. Recovery of glass run

- (1) Attach the glass run and accustom to the door panel and the bracket. [Fig. 9]

⚠ Caution

- When recovering the glass run, the bracket sections are especially difficult to be recovered. Use fingers to accustom the glass run.
If not fitted correctly, the glass run may get damaged due to up/down movement of the window glass.

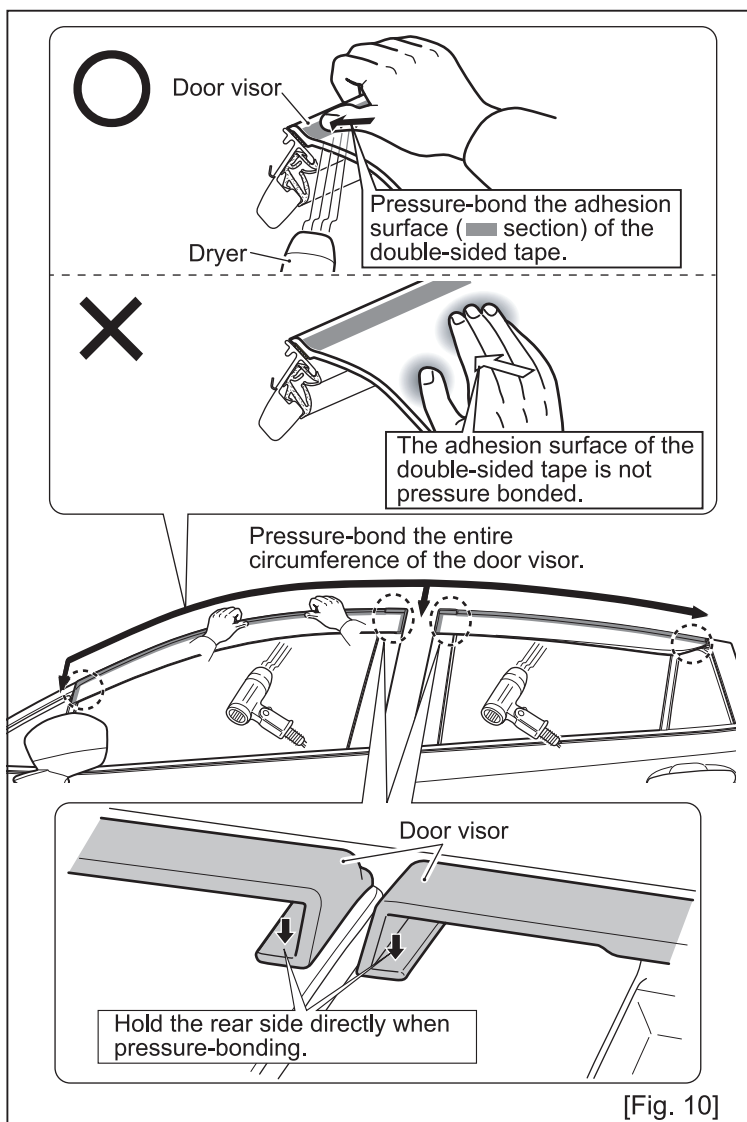


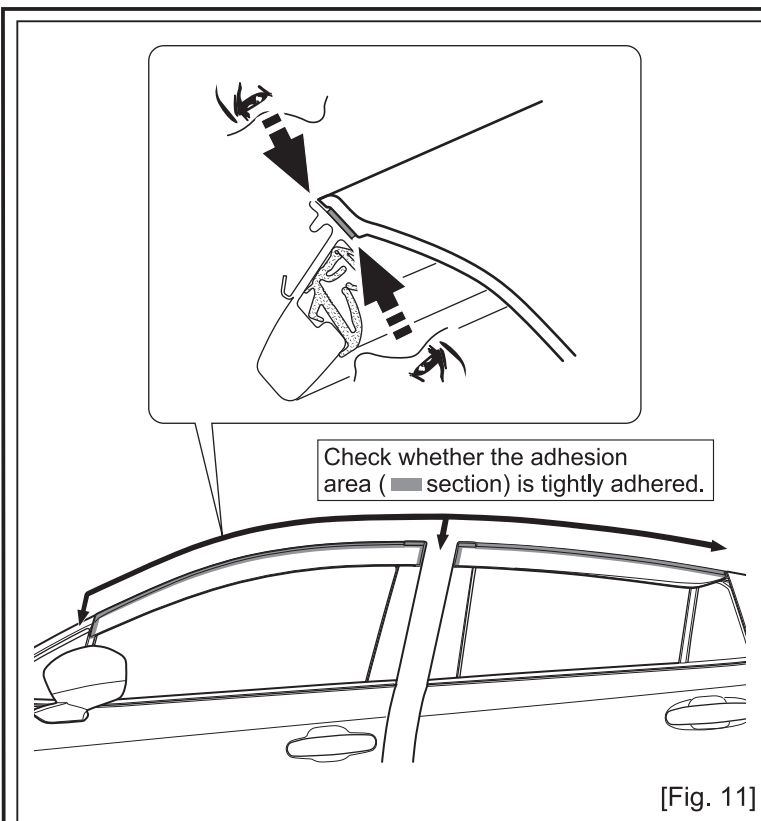
9. Pressure-bonding of door visor

- (1) Press bond the adhesion surface of the double-sided tape in the arrow ← direction evenly with a force of 49N or more (at least the force which shakes the vehicle). [Fig.10]

⚠ Caution

- Securely pressure-bond the adhesion surface of the double-sided tape, especially the ends (∩) section). In addition, when pressure bonding the double-sided tape to the pillar, directly hold the rear side of the double-sided tape adhering surface of the door visor. If there is any floated section due to insufficient pressure-bonding, it may cause injury, peeling, water intrusion, and abnormal sound.
- If the ambient temperature is 15°C or lower, warm up the door panel at which the door visor is adhered to and the double-sided tape of the door visor to a body temperature (approx. 40°C) by using a dryer, etc.
- Be very careful with a burn.





10. Check after attaching of the door visor

- (1) Look at the door visor from above and from underneath to check the adhesion section (■ section) of the double-sided tape is tightly adhered to the entire attachment surface. [Fig. 11]
- (2) Make sure the door visor does not extend beyond the vehicle components.
- (3) Always check that the window glass opens and closes smoothly by opening and closing it several times.
- (4) Lightly pull the door visor to check that the door visor is securely adhered. [Fig. 9]
- (5) Check that the door visor is properly attached. If any part is dirty, clean with a cloth, etc.

⚠ Caution

- Make sure that the attached visors can be protected from getting wet by rain or water for 24 hours from the attachment. Peeling of the double-sided tapes may occur.

- (6) The operation completes.